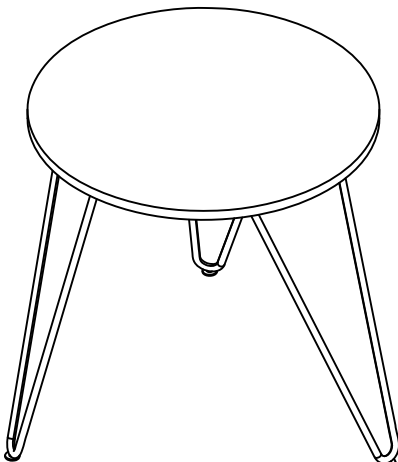

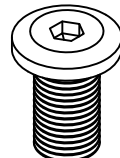
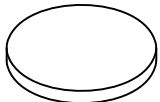
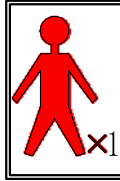


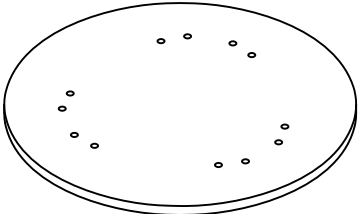



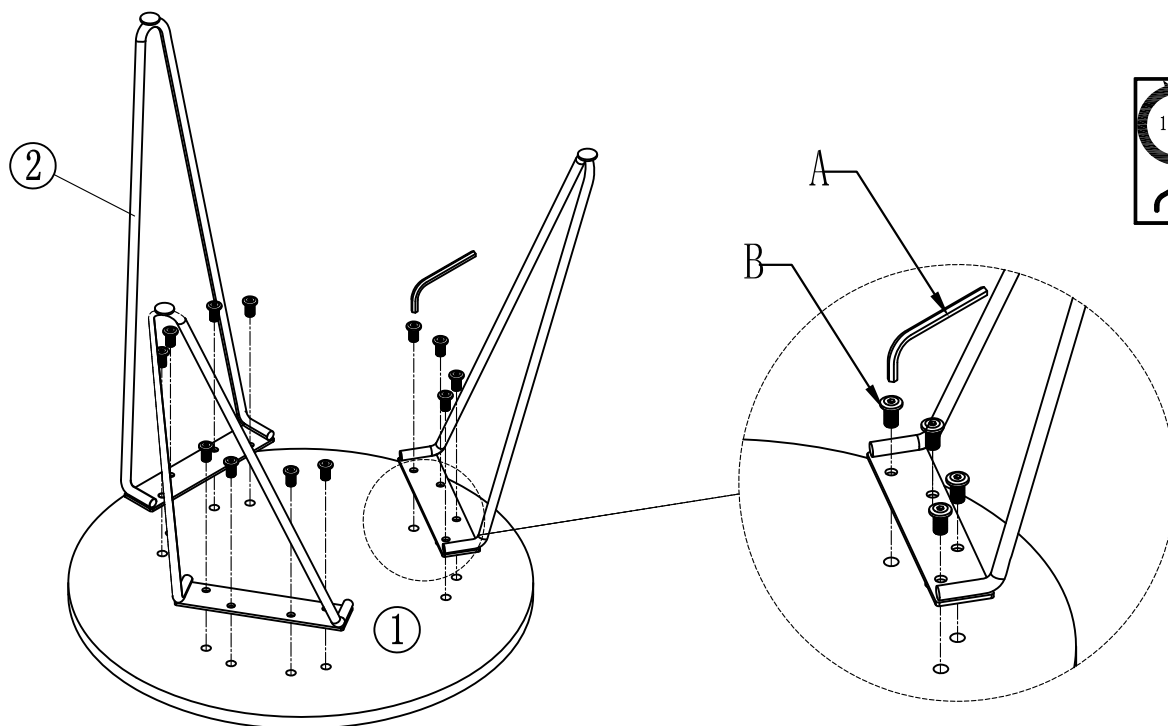
agata

SARDA L

 <p>BJ-9401</p>	A (4#)*1 	B (6*13)*12 	C (Ø20)*3 
 x1  20 MIN 			
 ① x1	 ② x3		
		BJ-9401	1/2

agata

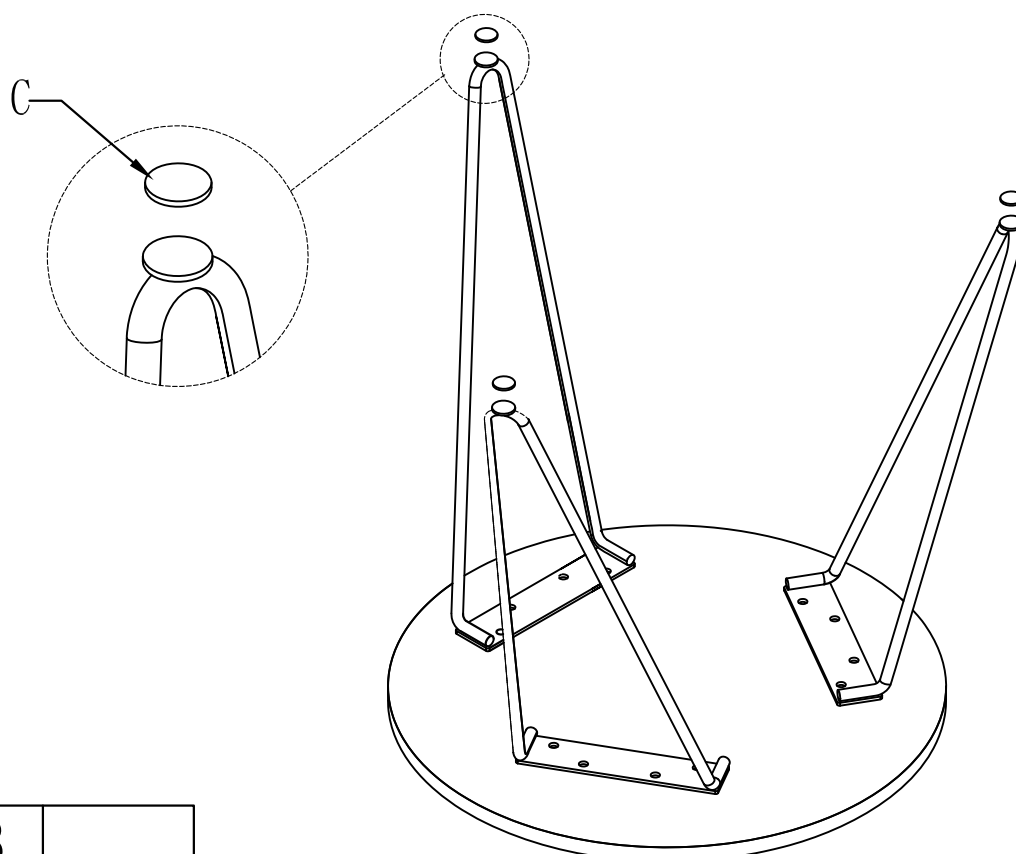
1



A*1

B*12

2



C*3

BJ-9401

2/2